

## 6kW

### EcoGen™ SERIES Residential Standby Generators Air-Cooled Gas Engine

#### INCLUDES:

- Electronic Governor
- External Main Circuit Breaker
- Sound Attenuated Enclosure
- Flexible Fuel Line Connector
- Composite Mounting Pad
- LP Gas Operation Only
- Advanced Oil Circulation System
- Easy Inverter Connections
- 120V (240V Capable with Conversion)
- 2000 Hour / 3 Year Limited Warranty
- UL 2200 Listed

Standby Power Rating  
Model 005818-0 (Steel - Bisque) - 6 kW 60Hz



Not for sale in CA

## FEATURES

- **INNOVATIVE DESIGN & PROTOTYPE TESTING** are key components of GENERAC'S success in "IMPROVING POWER BY DESIGN." But it doesn't stop there. Total commitment to component testing, reliability testing, environmental testing, destruction and life testing, plus testing to applicable CSA, NEMA, EGSA, and other standards, allows you to choose GENERAC POWER SYSTEMS with the confidence that these systems will provide superior performance.
- **TEST CRITERIA:**
  - ✓ **PROTOTYPE TESTED**
  - ✓ **SYSTEM TORSIONAL TESTED**
  - ✓ **NEMA MG1-22 EVALUATION**
  - ✓ **MOTOR STARTING ABILITY**
- **SOLID-STATE, FREQUENCY COMPENSATED VOLTAGE REGULATION.** This state-of-the-art power maximizing regulation system is standard on all Generac models. It provides optimized FAST RESPONSE to changing load conditions and MAXIMUM MOTOR STARTING CAPABILITY by electronically torque-matching the surge loads to the engine.
- **SINGLE SOURCE SERVICE RESPONSE** from Generac's dealer network provides parts and service know-how for the entire unit, from the engine to the smallest electronic component.
- **PURPOSE BUILT FOR RENEWABLE ENERGY APPLICATIONS.** Designed specifically to interact with off-grid renewable energy applications, Generac introduces the first generator intended for alternative energy interaction. Capable of tying into an inverter and battery storage system to supplement the alternative energy source. This provides the cleanest running, low emission solution to recharging house batteries.
- **EXTENDED RUN CAPABILITY.** This innovative oil circulation system extends the maintenance intervals by an unprecedented 5 times the industry standard by offering 500 hour maintenance intervals.

## EcoGen™ - 6 kW

## Engine

- Generac (OHVI) Design      Maximizes engine “breathing” for increased fuel efficiency. Plateau honed cylinder walls and plasma moly rings helps the engine run cooler, reducing oil consumption resulting in longer engine life.
- “Spiny-lok” cast iron cylinder walls      Rigid construction and added durability provide long engine life.
- Electronic ignition/spark advance      These features combine to assure smooth, quick starting every time.
- Full pressure lubrication system      Pressurized lubrication to all vital bearings means better performance, less maintenance and longer engine life.
- Low oil pressure shutdown system      Superior shutdown protection prevents catastrophic engine damage due to low oil.
- High temperature shutdown      Prevents damage due to overheating.
- Spin-on automotive type oil filter      Captures and collects harmful impurities with easy serviceability.
- Oil circulatory system      Extends maintenance intervals to 500 hours and virtually eliminates oil degradation.

## Generator

- Revolving field      Allows for a smaller, light weight unit that operates 25% more efficiently than a revolving armature generator.
- Displaced phase excitation      Maximizes motor starting capability.
- Automatic voltage regulation      Regulates the output voltage to  $\pm 2\%$  prevents damaging voltage spikes.
- UL 2200 Listed      For your safety.

## Controls

- Auto/Off/Manual switch      Selects the operating mode.
- 2-wire start/Inverter connection      Allows the generator to be started by a two wire signal.
- Battery sentinel      This smart system only charges the battery when needed, prolonging battery life.
- Main Line Circuit Breaker      Protects generator from overload.
- Electronic governor      Maintains constant 60 Hz frequency.

## Unit

- Weather protective enclosure      Ensures protection against mother nature. Hinged key locking roof panel for security. Lift-out front for easy access to all routine maintenance items. Electrostatically applied textured epoxy paint for added durability.
- Enclosed critical grade muffler      Quiet, critical grade muffler is mounted inside the unit to prevent injuries.
- Small, compact, attractive      Makes for an easy, eye appealing installation.
- SAE      Sound attenuated enclosure ensures quiet operation.

## Installation System

- 1' Flexible Fuel Line Connector      Easy Installation.
- Composite Mounting Pad

**EcoGen™ - 6 kW**

**Generator**

<b>Model</b>	<b>005818-0 (6kW)</b>
Rated Maximum Continuous Power Capacity (LP)	6,000* Watts
Rated Voltage	120 VAC (240 VAC capable w/kit)
Rated Maximum Continuous Load Current – 120 VAC	50 Amps (25 @240 VAC)
Main Line Circuit Breaker	50 Amps (25 after conversion)
Phase	1
Number of Rotor Poles	2
Rated AC Frequency	60Hz
Power Factor	1
Battery Requirement (not included)	Group 26R 12 Volts and 525 Cold-cranking Amperes Minimum
Unit Weight (Pounds/Kilos)	387/175.5
Dimensions (L x W x H) Inches/mm	48 x 25 x 29 [1218 x 638 x 732]
Sound output in dB(A) at 23 ft. with generator operating at normal load	52

**Engine**

Type of Engine	GENERAC OHVI
Number of Cylinders	2
Displacement	530cc
Cylinder Block	Aluminum w/Cast Iron Sleeve
Valve Arrangement	Overhead Valve
Ignition System	Solid-state w/Magneto
Governor System	Electronic
Compression Ratio	9.5:1
Starter	12 Vdc
Oil Capacity Including Filter (quarts/liters)	1.7Q/1.6L
Oil Reservoir Capacity (quarts/liters)	4.2Q / 4.0L
Operating RPM	2,600
Fuel Consumption	
Liquid Propane	ft <sup>3</sup> /hr (gal/hr)
1/2 Load	30.8/0.85
Full Load	48.2/1.32

Required fuel pressure to generator fuel inlet at all load ranges - 11 to 14 inches of water column for LP gas  
 For Btu content, multiply ft<sup>3</sup>/hr by 2520

**Controls**

2-Line Plain Text LCD Display	Simple user interface for ease of operation.
Mode Switch	
-Auto	Puts unit in standby mode, waiting for inverter start call.
-Off	Stops unit. Power is removed. Control and charger still operate.
-Manual/Test (start)	Start with starter control, unit stays on.
Starter Lock-out	Starter cannot re-engage until 5 sec. after engine has stopped.
2.5 Amp Smart Battery Charger	Standard
Automatic Voltage Regulator w/Overvoltage Protection	Standard
Automatic Low Oil Pressure Shutdown	Standard
Overspeed Shutdown	Standard, 72Hz
High Temperature Shutdown	Standard
Overcrank Protection	Standard
Safety Fused	Standard
Low Battery Protection	Standard
50 Event Run Log	Standard
Internal Fault Protection	Standard

Rating definitions - Standby: Applicable for supplying emergency power for the duration of the utility power outage. No overload capability is available for this rating. (All ratings in accordance with BS514, ISO3046 and DIN6271). \* Maximum wattage and current are subject to and limited by such factors as fuel Btu content, ambient temperature, altitude, engine power and condition, etc. Maximum power decreases about 3.5 percent for each 1,000 feet above sea level; and also will decrease about 1 percent for each 6° C (10° F) above 16° C (60°F). Sound output ratings from certain points on the generator subject to change based on installation parameters.

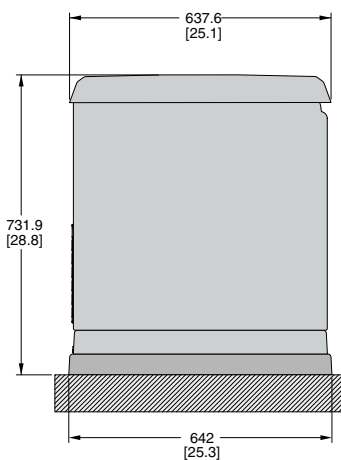
## EcoGen™ - 6 kW

## available accessories

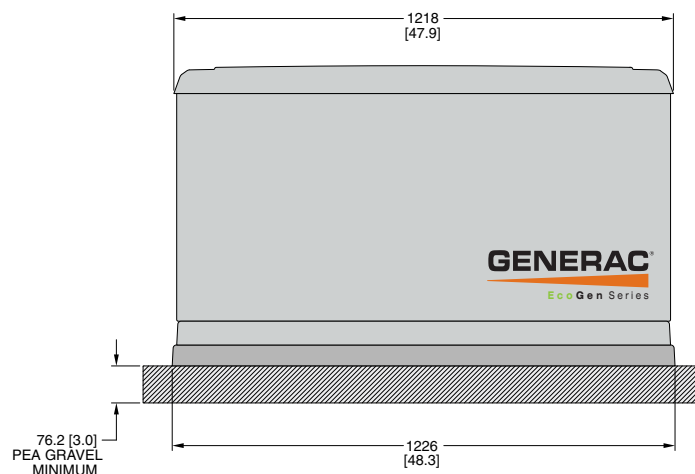
Model #	Product	Discription
5819	26R Wet Cell Battery	Every standby generator requires a battery to start the system. Generac offers the recommended 26R wet cell battery for use with all air-cooled standby product.
5839	Fascia Base Wrap Kit	The fascia base wrap snaps together around the bottom the new air-cooled generators. This offers a sleek, contoured appearance as well as offering protection from rodents and insects by covering the lifting holes located in the base.
5703	Paint Kit	Bisque Kit
6004	Scheduled Maintenance Kit	Generac's scheduled maintenance kits provide all the hardware necessary to perform complete routine maintenance on a Generac automatic standby generator.
6016	240V Conversion Kit	As off-grid energy systems continue to grow in size and capacity, it is becoming more common to have a 240V instead of 120V only. This conversion kit allows the EcoGen to be converted easily from a 120V system to a 240V system and still maintain a full 6kW output.

## dimensions

Design and specifications subject to change without notice. Dimensions shown are approximate. Contact your Generac dealer for certified drawings. DO NOT USE THESE DIMENSIONS FOR INSTALLATION PURPOSES.



LEFT SIDE VIEW



FRONT VIEW